

This manual contains important warnings and information. READ AND KEEP FOR REFERENCE.

# LIQUIDYNAMICS

## Manual Oil Dispensers

### Instruction & Parts Manual



**Model 24127**  
6 gallon  
Oil Dispenser



**Model 24130**  
21 gallon  
Oil Dispenser

#### **⚠ WARNING**

These dispensers are not for use with flammable, explosive or corrosive products such as gasoline, diesel fuel or chemicals.

# **WARNING**

This symbol indicates a potentially hazardous situation which, if not avoided, could result in death or serious injury.

## Introduction:

The models 24127 and 24130 Manual Oil Dispensers will provide years of reliable operation. These Oil Dispensers are designed for easy and convenient transfer of engine oils, gear oils, transmission fluids, hydraulic oils and antifreeze.

# **WARNING**

Do not use these dispensers with flammable, explosive or corrosive products such as Gasoline, Diesel Fuel or Chemicals. Do not do any welding on the reservoir.

## Assembly:

- The model 24127 dispenser is shipped completely assembled and ready for use.
- Model 24130 requires the attachment of the provided handle, parts tray and discharge hose. The handle is easily attached with included Allen screws. Use Fig. 1 as a guide for the parts tray and discharge hose.

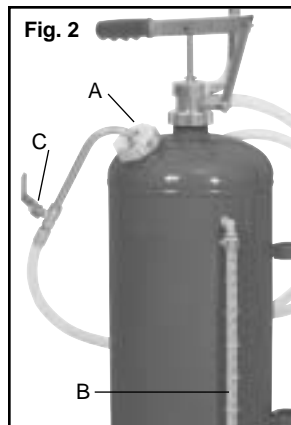


## Note:

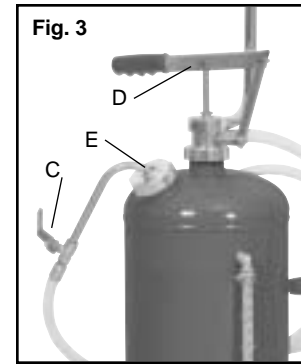
Accessory meter Kits are available for these dispensers, please contact Liquidynamics at 800 894 3572 for availability and prices.

## Operation:

- Fill the reservoir with fluid (maximum capacities are noted in the Specifications section) by removing cap A, Fig.2.
- Reservoir fluid level may be observed via sight gauge B, Fig. 2.
- Place discharge hose in the receiving container and open shutoff valve C, Fig.2
- Operate the hand pump



- D, Fig. 3 as necessary to transfer the desired amount of fluid into receiving container.
- Close shutoff valve C, Fig. 3 and store discharge spout in provided opening E, Fig. 3.



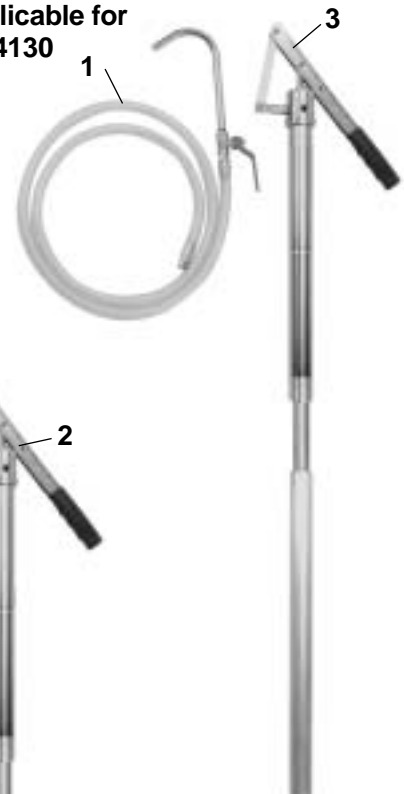
## Specifications:

Model Number	24127	24130
Tank Capacity	6 gal.	21 gal.
Height (overall)	38"	42"
Discharge Hose Length	6'	6'
Pump Output	approx. 4 strokes per quart	
Weight (empty)	29 lb.	57 lb.
Shipping Weight	32 lb.	63 lb.

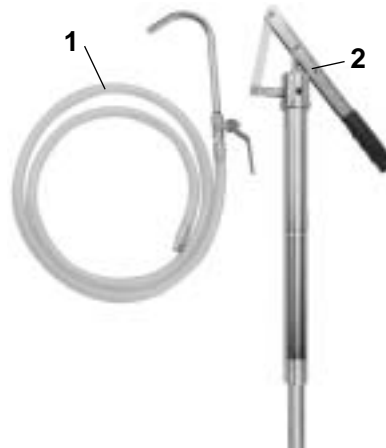
## Exploded Parts Items (Hand Pump):

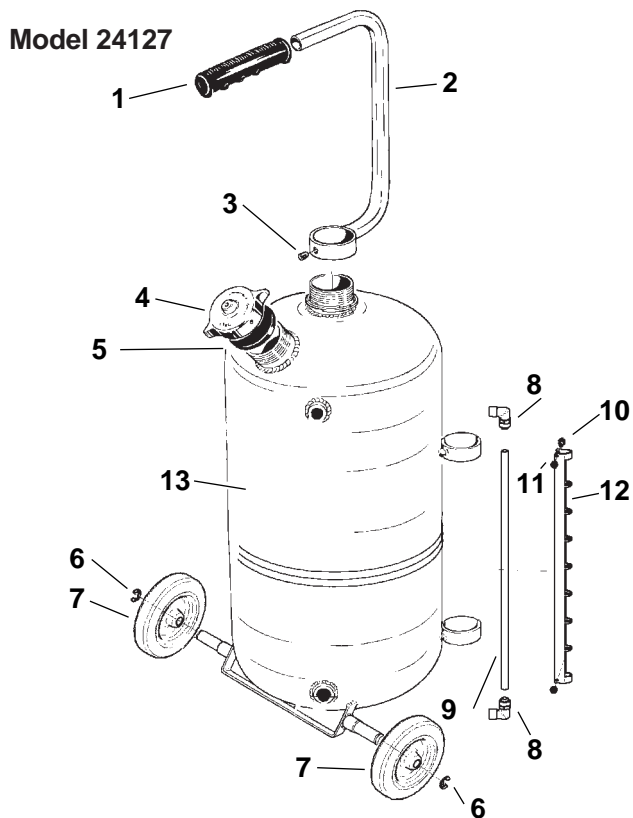
1	P/N S3249	Hose Assembly
2	P/N S3161	Pump Handle Assembly (24127)
3	P/N S3162	Pump Handle Assembly (24130)

### Parts applicable for Models 24130



### Parts applicable for Models 24127





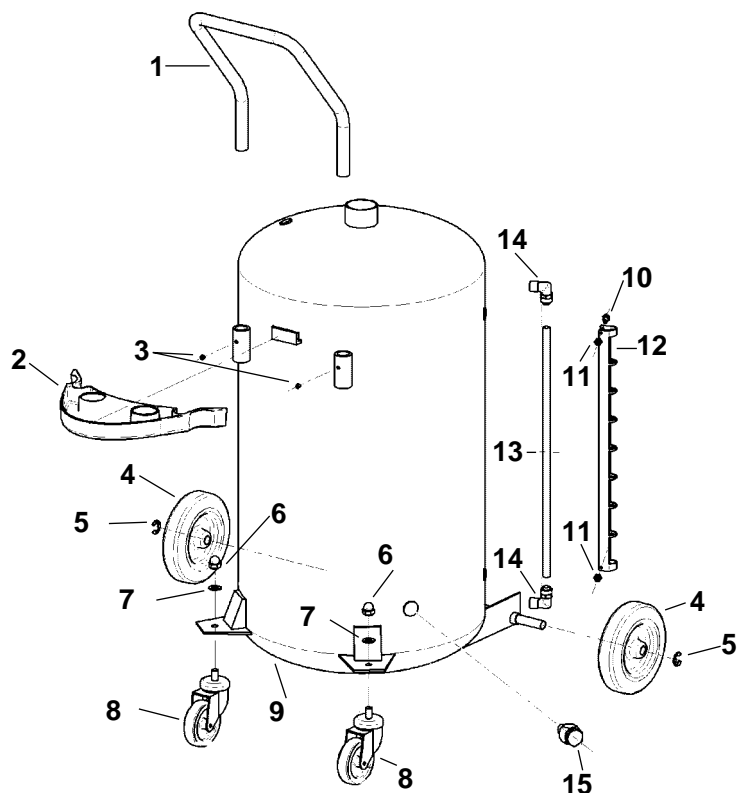
**Exploded Parts Items (Drain Pan Assembly):**

1	P/N S3150	Grip, handle
2	P/N S3151	Handle, carry
3	P/N S3152	Set screw, carry handle
4	P/N S3160	Cap
5	P/N S3154	Gasket, drain cap
6	P/N S3155	Retainer, 'C' clip
7	P/N S3156	Wheel, fixed
8	P/N S3244	Fitting, elbow, sight tube
9	P/N S3157	Sight tube, 6 gallon
10	P/N S3239	Screw
11	P/N S3240	Nut
12	P/N S3158	Guard, sight tube
13	P/N S3159	Tank, 6 gallon

**Exploded Parts Items (Tank Assembly):**

1	P/N S3223	Handle
2	P/N S3231	Tool Tray
3	P/N S3232	Allen Screw, 3 mm
4	P/N S3233	Wheel, fixed
5	P/N S3234	Clip, Retainer
6	P/N S3235	Nut, Acorn
7	P/N S3236	Washer
8	P/N S3237	Caster, Swivel
9	P/N S3238	Tank, Reservoir, 21 gal.
10	P/N S3239	Screw
11	P/N S3240	Nut
12	P/N S3241	Guard, Sight Tube, 21 gal.
13	P/N S3243	Sight Tube, 21 gal.
14	P/N S3244	Elbow Fitting, Sight Tube
15	P/N S3248	Plug

**Parts applicable for Models 24130**





**LIQUIDYNAMICS™**  
VALUE WORLDWIDE

2211 S. Edwards • Wichita, KS 67213 / TEL: 316-943-5477 • FAX: 316-943-4760 / TOLL FREE: 800-894-3572  
E-MAIL: [equip@liquidynamics.com](mailto:equip@liquidynamics.com)