

LIQUIDYNAMICS

Drum Cart

Model 51004T

Instruction & Parts Manual

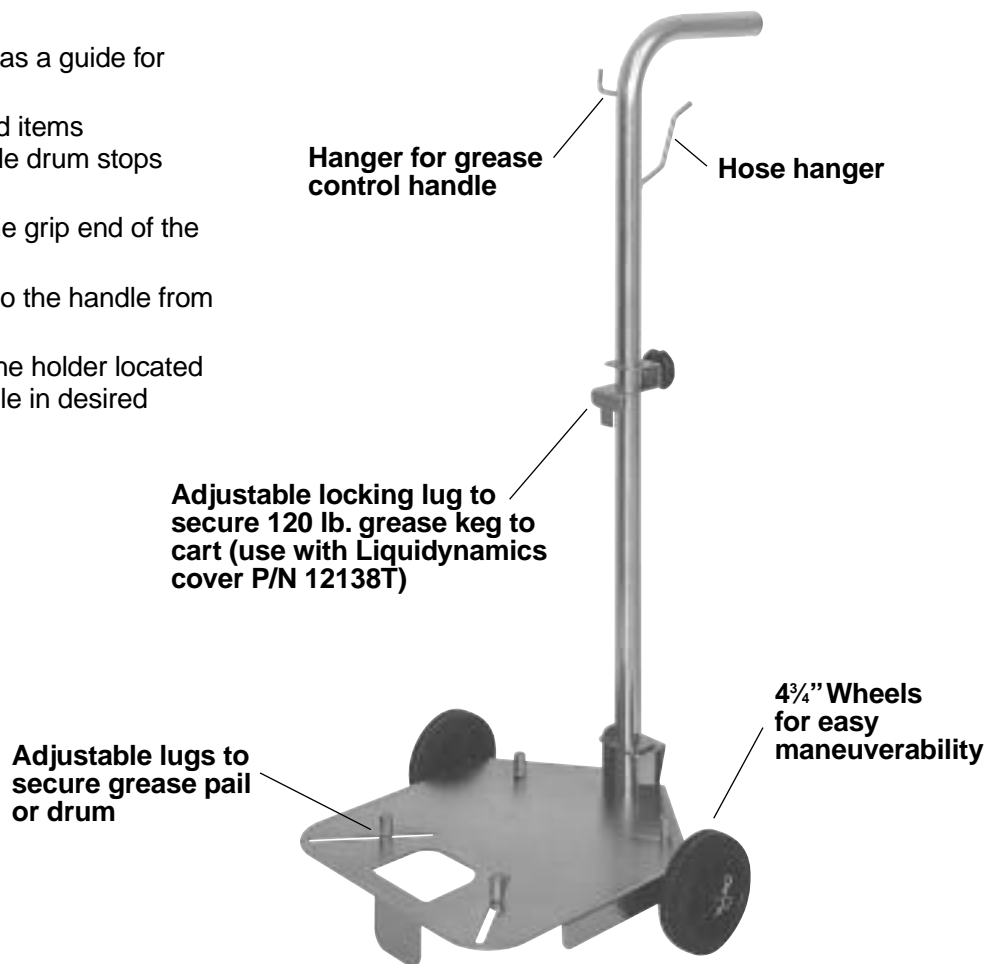
Introduction;

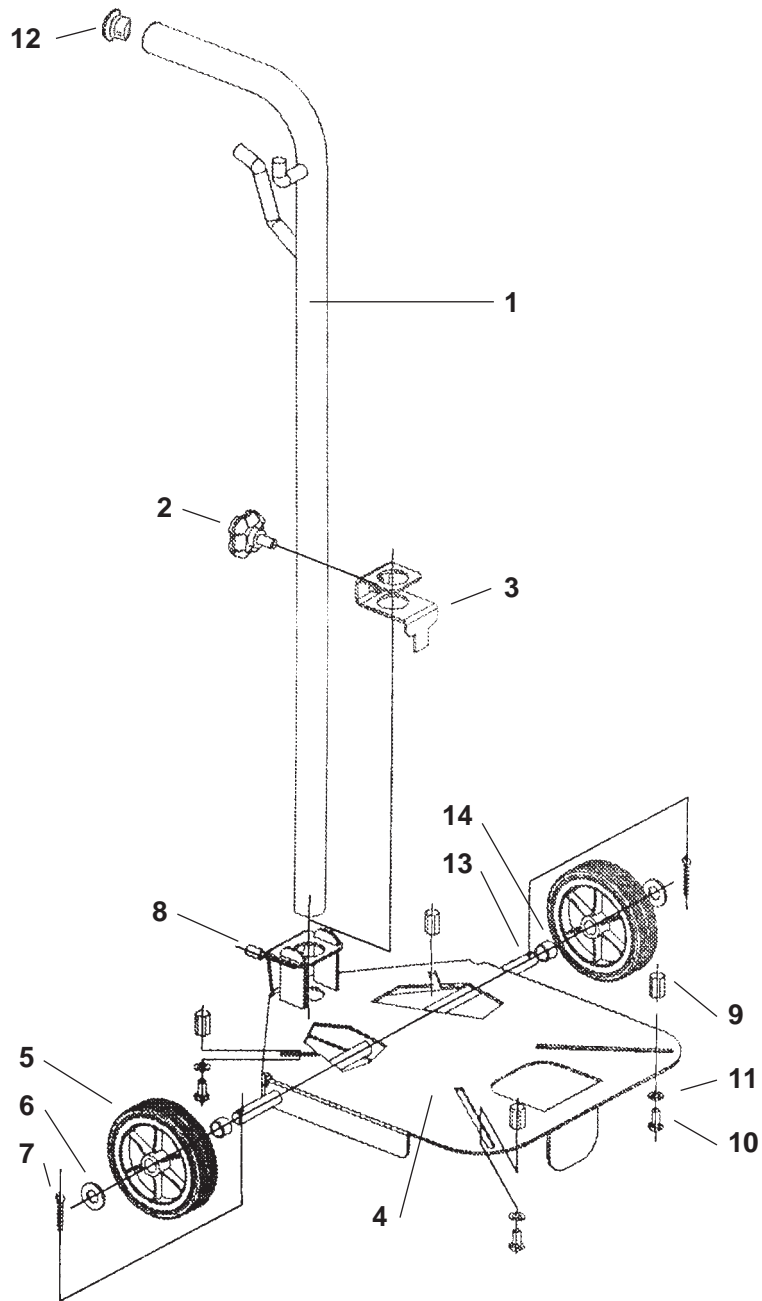
The model 51004T drum cart is designed to be used with 35 - 120 lb. grease pails and drums. The two wheel design offers significant advantages in handling and control of grease drums, thus reducing the possibility of equipment damage or personal injury.

Assembly:

1. Use the exploded parts drawing as a guide for assembly.
2. Assemble the wheels and related items (#4,5,6,7,13, &14) and adjustable drum stops (4 ea.) (#9, 10, 11).
3. Push the plastic cap, #12, into the grip end of the handle #1.
4. Slide the locking lug (#2 &3) onto the handle from the bottom of handle.
5. Slide the handle assembly into the holder located on the base #4 and secure handle in desired position with Allen set screw #8.

Features:





Exploded Parts Items – Cart Model 51004T:

1	P/N S4450	Handle	8	P/N S4457	Allen screw, 5 mm
2	P/N S4451	Locking knob	9	P/N S4458	Lug, adjustable
3	P/N S4452	Locking lug	10	P/N S4459	Bolt, 1/2"
4	P/N S4453	Cart base	11	P/N S4460	Washer
5	P/N S4454	Wheel	12	P/N S4461	Plug
6	P/N S4455	Wheel washer	13	P/N S4462	Wheel shaft
7	P/N S4456	Cotter key	14	P/N S4463	Spacer, shaft