

LIQUIDYNAMICS

Drum Cart

Model 51003T

Instruction & Parts Manual

Introduction;

The model 51003T drum cart is designed to be used with 35 - 120 lb. grease drums and gear oil pail/drums. The four wheel design offers significant advantages for the handling and control of these type pails/drums, thus reducing the possibility of equipment damage or personal injury.

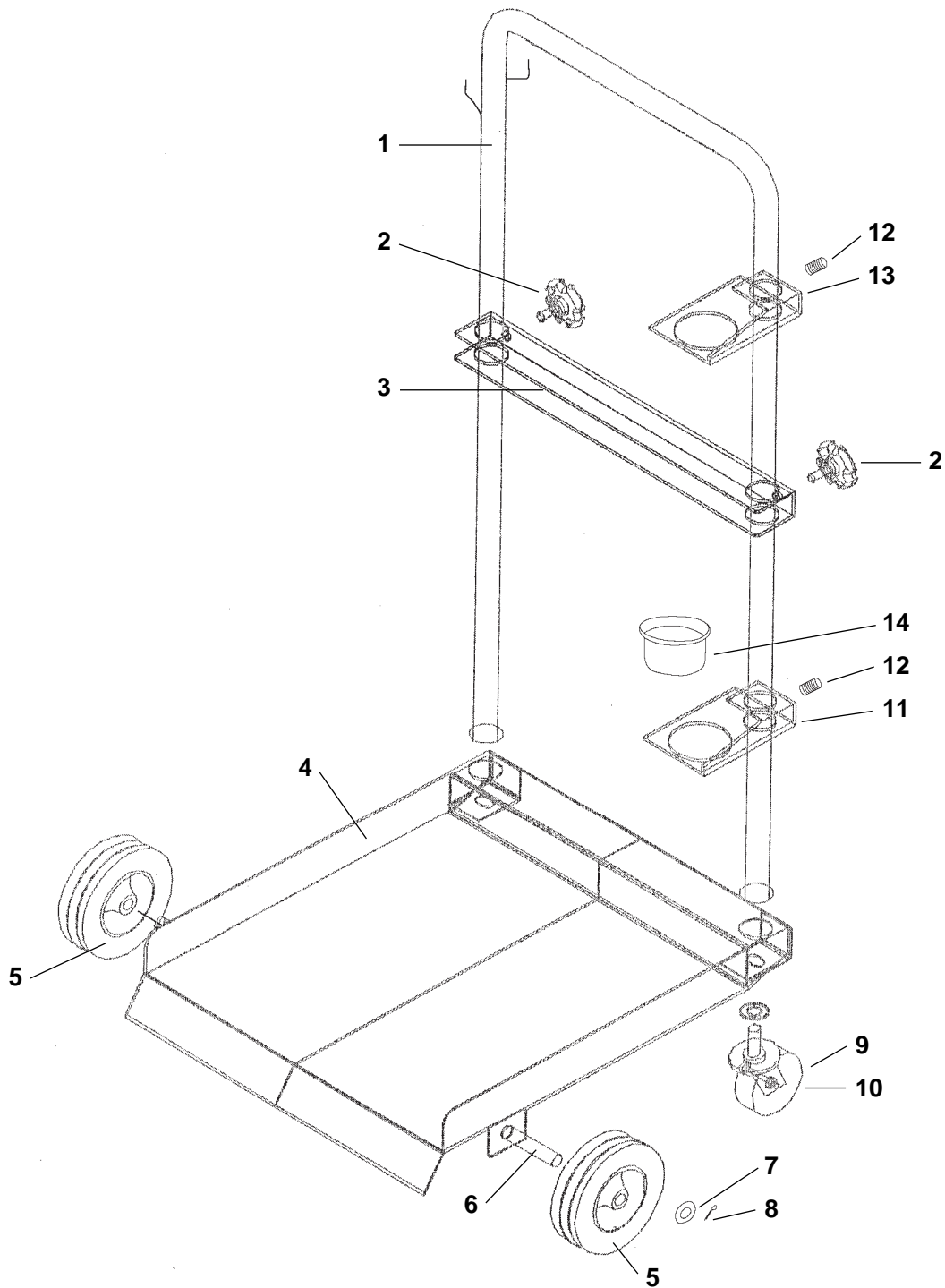
The 51003T cart design incorporates an adjustable height retaining bar to secure the pail/drum to the cart. Additionally, pump holding brackets w/drip cup are provided as a convenient place to store the pump during drum exchange. An incorporated foot brake on one of the swivel casters secures the cart in position.

Assembly:

1. Use the exploded parts drawing as a guide for assembly.
2. Assemble fixed wheels and related items (#5, 6, 7 and 8).
3. Slide the upper retainer bracket (#13) onto the cart handle (#1) as shown and secure with Allen screw (#12).
4. Slide the pump retainer bracket (#3) onto handle (#1) as shown and secure with locking knobs (#2).
5. Slide the lower retainer bracket (#11) onto handle (#1) as shown and secure with Allen screw (#12).
6. Insert handle assembly into receptacle provided in cart base and secure with bolts provided on casters (#9 & 10).
7. Slip drip cup (#14) into pump retainer bracket (#11).

Features:





Exploded Parts Items – Cart Model 51003T:

1	P/N S4470	Cart handle	8	P/N S4456	Cotter key
2	P/N S4451	Locking knob	9	P/N S4476	Swivel caster w/o brake
3	P/N S4471	Drum retainer bracket	10	P/N S4477	Swivel caster w/brake
4	P/N S4472	Cart base	11	P/N S4404	Pump retainer bracket, lower
5	P/N S4454	Fixed wheel	12	P/N S4405	Allen screw, 5 mm
6	P/N S4475	Wheel shaft	13	P/N S4403	Pump retainer bracket, upper
7	P/N S4405	Wheel washer	14	P/N S4421	Drip cup